

SPECIFICATIONS

ELECTRICAL

Model	Current Dissipation	Power Consumption	Operating Power	Max Serial Connection
SLIM 030	90mA	2.16W	DC24V	10EA (3 Meters)
SLIM 060	180mA	4.32 W	DC24V	5EA (3 Meters)
SLIM 090	270mA	6.48W	DC24V	3EA (3 Meters)
SLIM 120	360mA	8.64W	DC24V	2EA (3 Meters)
SLIM 150	450mA	10.8W	DC24V	2EA (3 Meters)

DOMINANT
Opto Technologies
Innovating Illumination

42,500H
LIFETIME

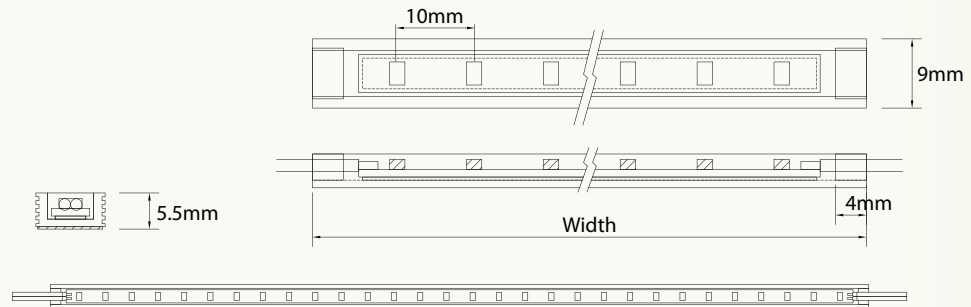
IP65

DC24V



PHYSICAL

Model	Length	Width	Thickness	Weight	LED Lamp Pitch
SLIM 030	310mm	9mm	5.5mm	28g	10mm (30 Lamps)
SLIM 060	610mm	9mm	5.5mm	52g	10mm (60 Lamps)
SLIM 090	910mm	9mm	5.5mm	76g	10mm (90 Lamps)
SLIM 120	1210mm	9mm	5.5mm	100g	10mm (120 Lamps)
SLIM 120	1500mm	9mm	5.5mm	100g	10mm (120 Lamps)



PRECAUTIONS

Use precautions to avoid damages to the product or injuries of users. Any actions against following contents will cause serious issues such as malfunction, electric shock, or burn.



DC24V USE DC24V ONLY



- Do not perform actions listed below
- Alter or modify
 - Touch LED lamps with sharp objects
 - Put glue or silicon over the LED lamps

AC INPUT DO NOT USE AC INPUT



Do not cut or rejoin wires while product is connected with live power source



Maximum driver quantity per serial connection is limited. Failure causes overload of current and damages to the product



Avoid performing installation under rain or high humidity for outdoor use



Refer to 'WIRE THICKNESS' table to use proper wire thickness between SMPS and the first LED module
Failure will cause dimmed output



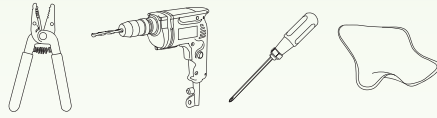
- Do not use the product under circumstances listed below
- High temperature spots over 60°C (140°F)
 - Spots draw extreme moisture or dust
 - Spots have corrosive gas or highly effected by electromagnetic field



Cable length between SMPS and the first LED module is limited. Refer to 'CONNECTION WITH POWER SUPPLY' on page 2

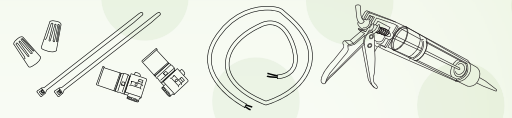
PREPARATION

TOOLS REQUIRED



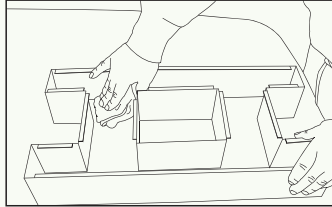
Wire Stripper, Drill, Screw Driver, Wiper

SUPPLIES REQUIRED

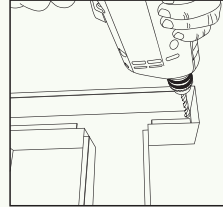


Wire Nuts, Cable Ties, IDC Connectors, VCTF(PLTC) Cable, (Optional : Silicon and Screws)

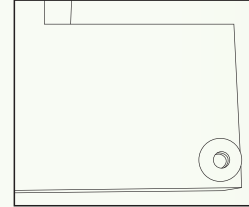
PREPARE CHANNELS



1. Clean moisture and dust inside



2. Make holes



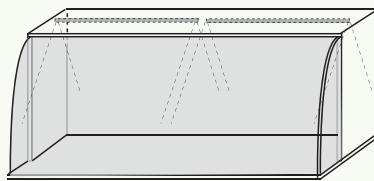
3. Use bushing to protect wires

1. Wipe out dust, water, and oil inside. 3M tape will come off easily if product is mounted on uncleaned surfaces.
2. Make holes for wires from modules to SMPS.
3. Without bushings, wires will easily be cut and short-circuit will occur.
*Use white paint inside the channels for better reflection

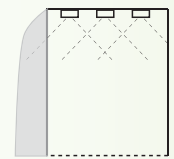
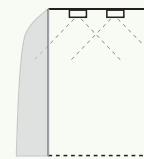
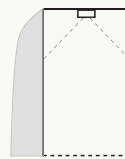
LAYOUT DENSITY GUIDELINES

Use recommended length for pitch between each module to achieve optimum lighting output while maintaining lowest unit cost. Failure or misplacing will cause dimmed spots or uneven appearance of light on the surface.

In case of showcase



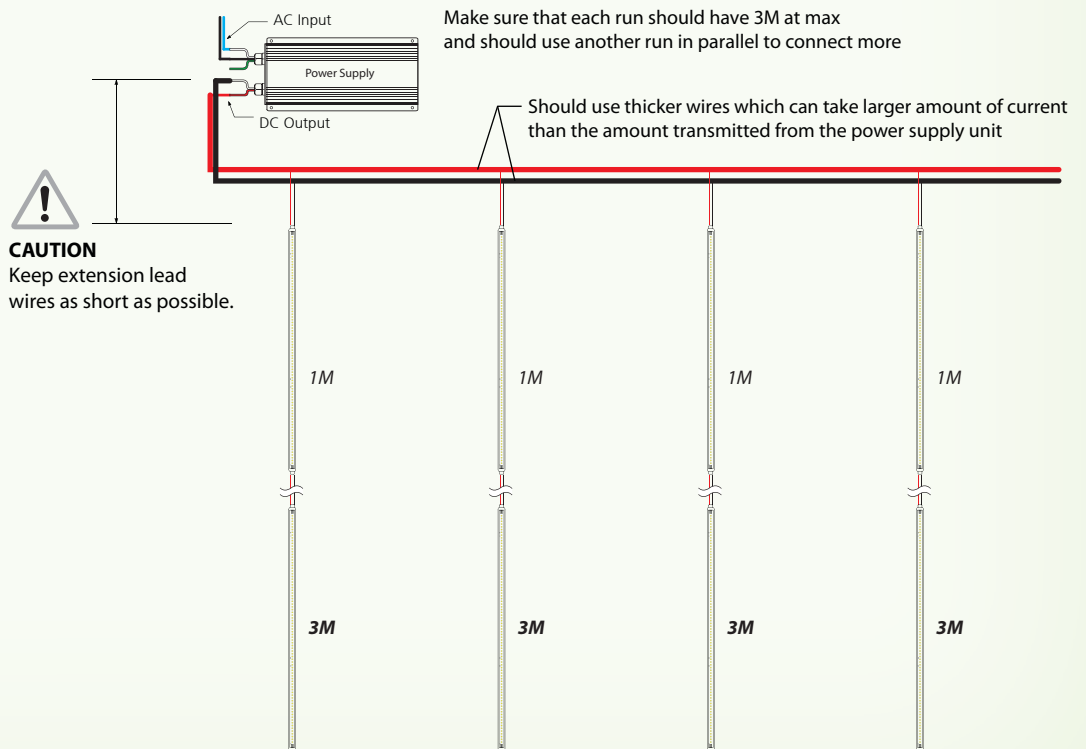
FRONT VIEW



SIDE VIEW

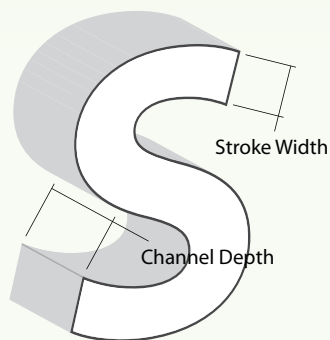
CONNECTION GUIDE

Maximum driver quantity per serial connection is limited. Using more quantity per run will cause overload from SMPS which damages all connected products. This will cause voltage drop and also dimmed lighting output.

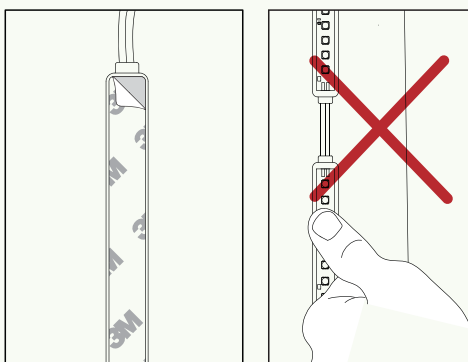


INSTALLATION GUIDE

1. DETERMINE LAYOUT



2. PEEL AND STICK



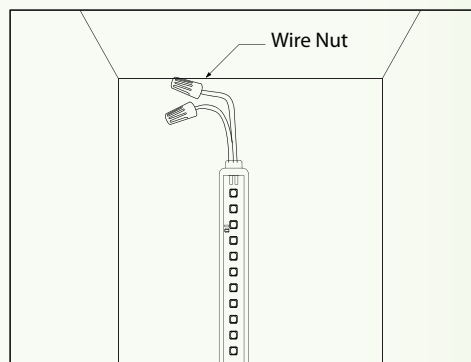
Using predetermined layout and LED placement from step 1, remove 3M tape on the back of modules and stick them into place. Ensure modules are firmly attached on the surface.



CAUTION

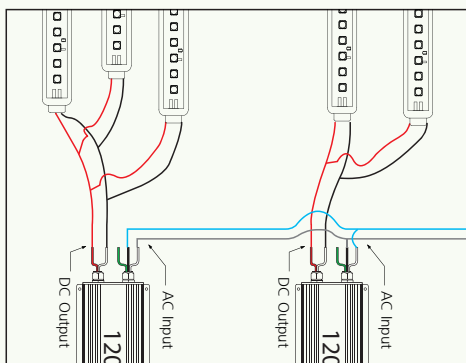
When handling the module, avoid pressing down directly on top of LED lamp

3. CAP ALL UNUSED WIRES



The strand of modules should not be looped to create a closed circuit.

4. CONNECT WITH POWER SUPPLY



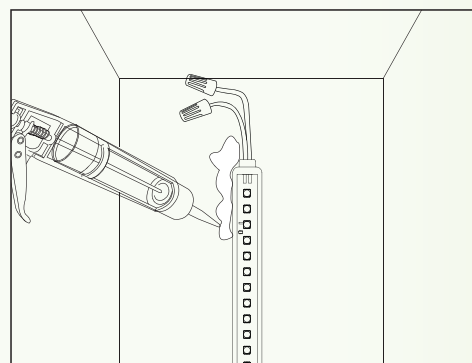
Using predetermined layout and LED placement from step 1, divide channels into sections and distribute each section to corresponding power supplies.



CAUTION

Before connect with power supplies, check polarity on every connections

5. FIX MODULES PERMANENTLY



SILICON : If desired, modules can be secured with silicon. Do not to put silicon on the top of the LED lamps.

TROUBLE SHOOTING

Entire sign or leg does not light after complete installation.	Check connection from power supply lead to first module. Make sure polarity of connections made at the power supply lead and any jumper wire is correct. Power supply outputs should be connected red-to-red and white-to-white.
Still does not light.	Check output voltage of power supply using a voltmeter. The output voltage should be 24.0VDC \pm 0.5VDC. If there is no output voltage, have a licensed electrician check input voltage. Make sure power supply is connected correctly and getting primary power. If power supply is connected properly and getting primary power and there is still no output voltage, try a different power supply.
Still does not light.	If power supply is getting primary power and the modules do not light, there may be a short in the secondary wiring. Check all connections and cap all loose wires.
Beginning of a leg lights, but the entire leg does not light or lights intermittently.	The primary cause of a portion of a S-LED leg not lighting or lighting intermittently is a bad connection or reverse polarity connection between the modules that light and the modules that don't light. Check this connection.
One module does not light, but all others in the leg light.	S-LED is designed so if one module fails, it will not cause the entire sign or leg to go out. If one module does not light, but all others in the leg do, replace this module with a new one.
All modules light, but some of them are dimmed.	Check each run has no more than maximum number of modules. Also ensure that type of the extension wire from SMPS to the first module is correct. If wires are not thick enough to transmit current from SMPS, this will cause voltage drop and will dim the modules at the end.
Dark spots or dimmed spots occur.	Channel depth is too low, or center distance between modules is too far. Refer to 'LAYOUT DENSITY GUIDELINES' for more information.
Still has spots.	Covering acrylic is not intended for LED illumination. Use light diffusing acrylic sheets which are specially made for LED light source.