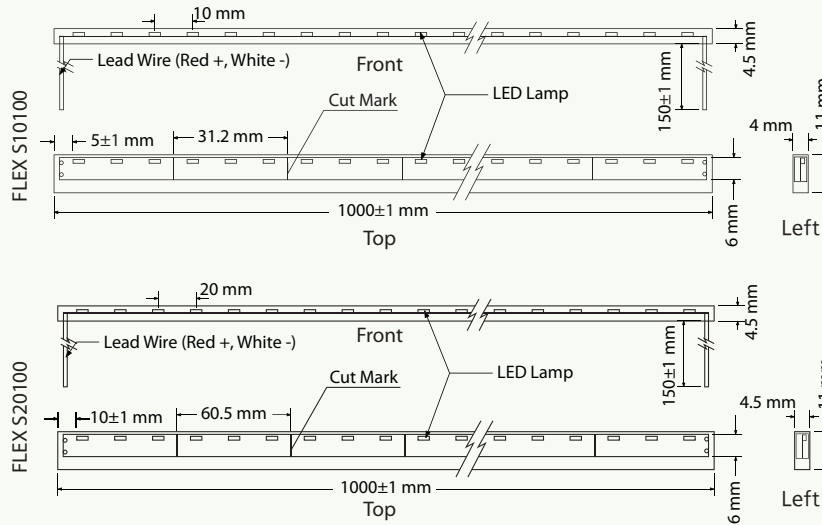


SPECIFICATIONS

Model	Operating Power	Power Consumption	Weight	Min Bending Radius	Viewing Angle	Max Serial Connection
FLEX S10100	DC12V	5.9W	R30mm	60°	80g	3M
FLEX S20100	DC12V	2.3W	R30mm	60°	60g	3M

*Electronic dimming control is supported



LUXPIA

42,500H LIFETIME

IP65

DC12V

3cut



PRECAUTIONS

Use precautions to avoid damages to the product or injuries of users. Any actions against following contents will cause serious issues such as malfunction, electric shock, or burn.



DC12V USE DC12V ONLY

AC INPUT DO NOT USE AC INPUT



Do not cut or rejoin wires while product is connected with live power source



Avoid performing installation under rain or high humidity for outdoor use



Do not use the product under circumstances listed below

- High temperature spots over 60°C (140°F)
- Spots draw extreme moisture or dust
- Spots have corrosive gas or highly effected by electromagnetic field



Do not perform actions listed below

- Alter or modify
- Touch LED lamps with sharp objects
- Put glue or silicon over the LED lamps



Maximum driver quantity per serial connection is limited. Failure causes overload of current and damages to the product



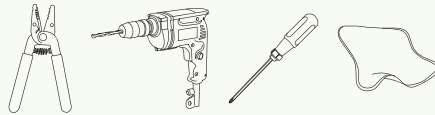
Refer to 'WIRE THICKNESS' table to use proper wire thickness between SMPS and the first LED module
Failure will cause dimmed output



Cable length between SMPS and the first LED module is limited. Refer to 'CONNECTION WITH POWER SUPPLY' on page 2

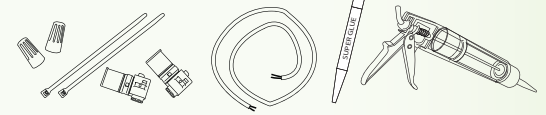
PREPARATION

TOOLS REQUIRED



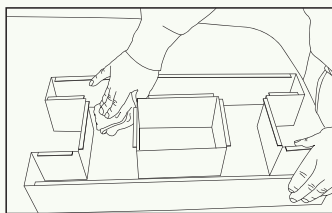
Wire Stripper, Drill, Screw Driver, Wiper

SUPPLIES REQUIRED

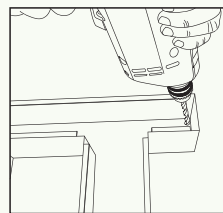


Wire Nuts, Cable Ties, IDC Connectors, VCTF(PLTC) Cable, Super Glue, Silicon(optional)

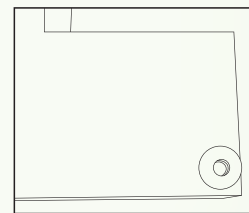
PREPARE CHANNELS



1. Clean moisture and dust inside



2. Make holes



3. Use bushing to protect wires

1. Wipe out dust, water, and oil inside. 3M tape will come off easily if product is mounted on uncleaned surfaces.
2. Make holes for wires from modules to SMPS.
3. Without bushings, wires will easily be cut and short-circuit will occur.

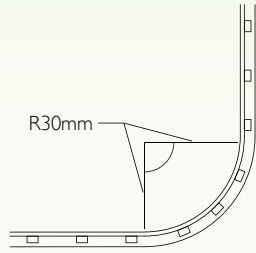
*Use white paint inside the channels for better reflection

SUPER BRIGHT S-LED MODULE

VISUAL TECHNOLOGIES
Unit 6/102-110 North View Drive Sunshine West VIC 3020
T 9311 5722 F 9311 5733 E info@visualtechnologies.com.au
www.visualtechnologies.com.au

VISUAL TECHNOLOGIES
DIGITAL SIGNS & SUPPLIES

BEFORE HANDLING UNITS



Do not flex or bend units with less than 15mm in radius, 30mm in diameter. Refer to left illustration.

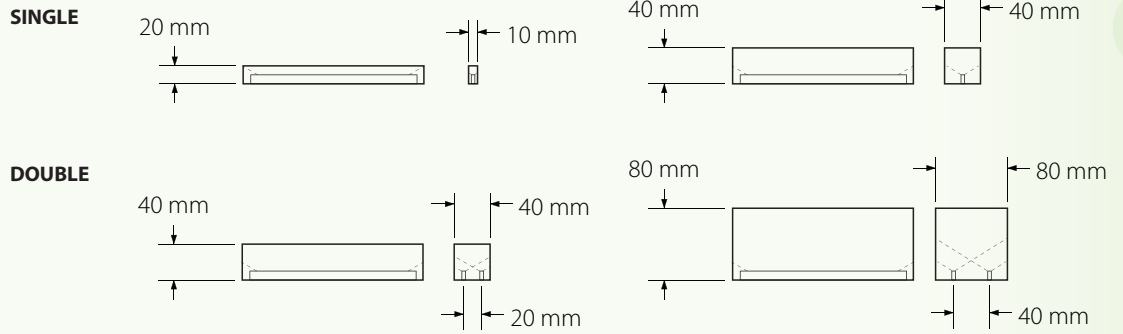


When stored in cold weather, units are stiff. Connect them with power supplies and wait until they become soft enough to be easily fabricated.

LAYOUT DENSITY GUIDELINES

Use recommended length for pitch between each module to achieve optimum lighting output while maintaining lowest unit cost. Failure or misplacing will cause dimmed spots or uneven appearance of light on the surface.

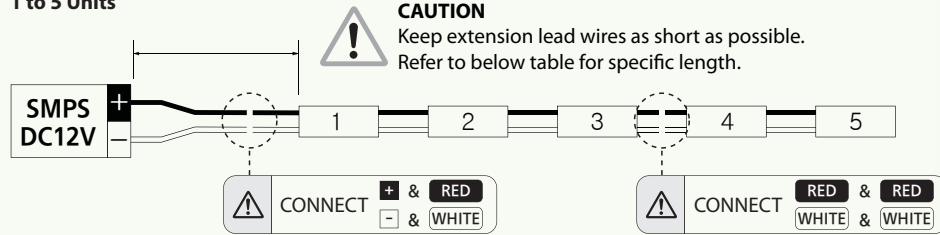
RECOMMENDED PITCH PER DEPTH



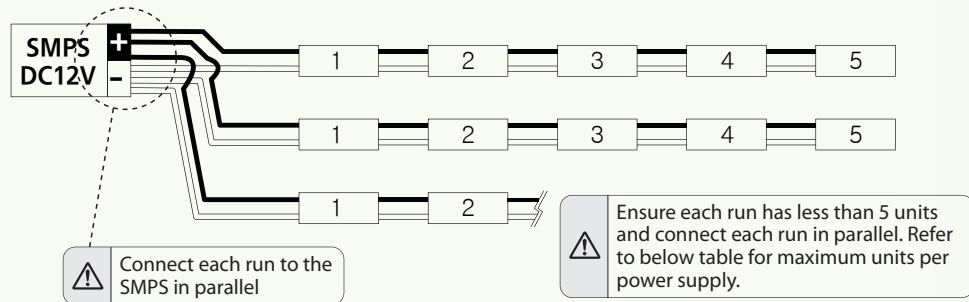
CONNECTION GUIDE

Maximum driver quantity per serial connection is limited. Using more quantity per run will cause overload from SMPS which damages all connected products. This will cause voltage drop and also dimmed lighting output.

1 to 5 Units



More than 6 Units



CONNECTION WITH POWER SUPPLY

EXTENSION OF POWER SUPPLY LEAD WIRES

Model Name	PSCS-0030-12	PSCS-0060-12	PSCS-0120-12	PSCS-0600-12**	PSCS-1000-12**
Output (W)	30W	60W	120W	600W	1000W
Output (A)	2.5A	5A	10A	50A	83A
Max Q'TY - S10100*	6pcs	12pcs	23pcs	110pcs	190pcs
Recommended Extension Wire	VCTF1.25 AWG18	VCTF2.0 AWG14	VCTF2.0 AWG12	VCTF5.5 AWG4	VCTF8.0 AWG2
Maximum Length	5M (15FT)	5M (15FT)	5M (15FT)	15M (50FT)	15M (50FT)

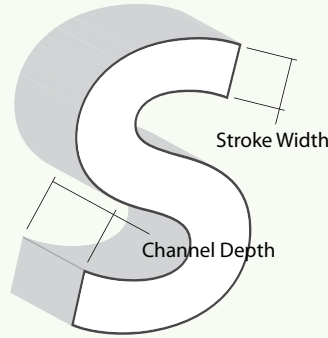
*Maximum quantity for S-LED is based on 85% of specified capacity of power supplies for extended lifespan

**PSCS-0600-12, PSCS-1000-12 are not weather-proof

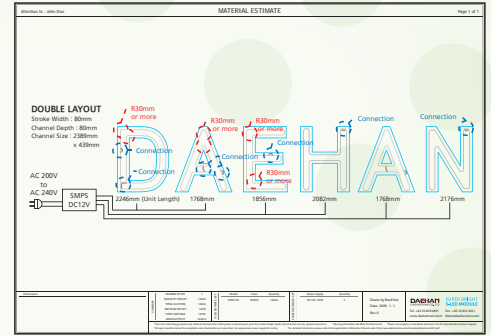
Equip with protective box for outdoor use and the box should have ventilating holes

INSTALLATION GUIDE

1. DETERMINE LAYOUT

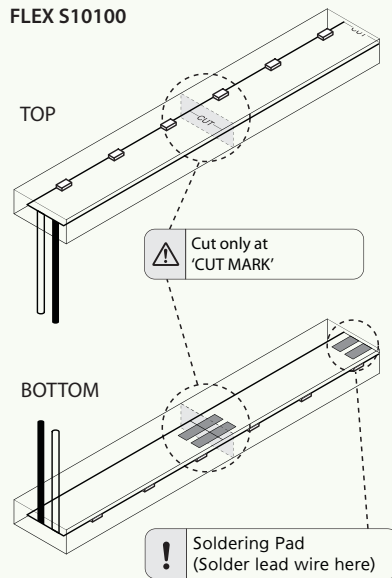


Refer to 'LAYOUT DENSITY GUIDELINES' on page 2 to determine spacing and amount of LEDs required.



SUPPORTS FOR OUR SIGNMATES
Ask us to obtain accurate layout

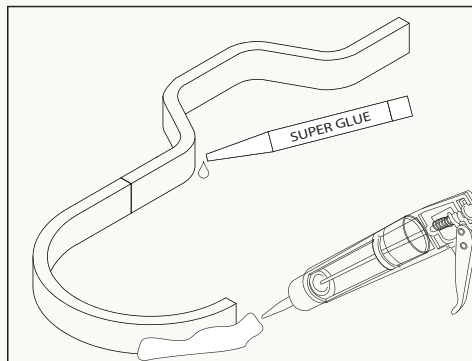
2. CUT INTO REQUIRED LENGTH



CAUTION

When handling the module, avoid twisting or bending unit in less than R30mm(60mm in diameter)

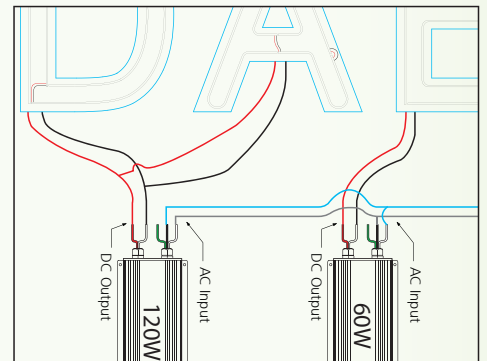
3. FIX UNITS PERMANENTLY



SUPER GLUE : Units can be secured with super glue. Use super glue made for outdoor use with moisture resistance. Do not put glue on the top of LED lamps.

SILICON : If desired, modules can be secured with silicon. Do not to put silicon on the top of LED lamps.

4. CONNECT WITH POWER SUPPLY



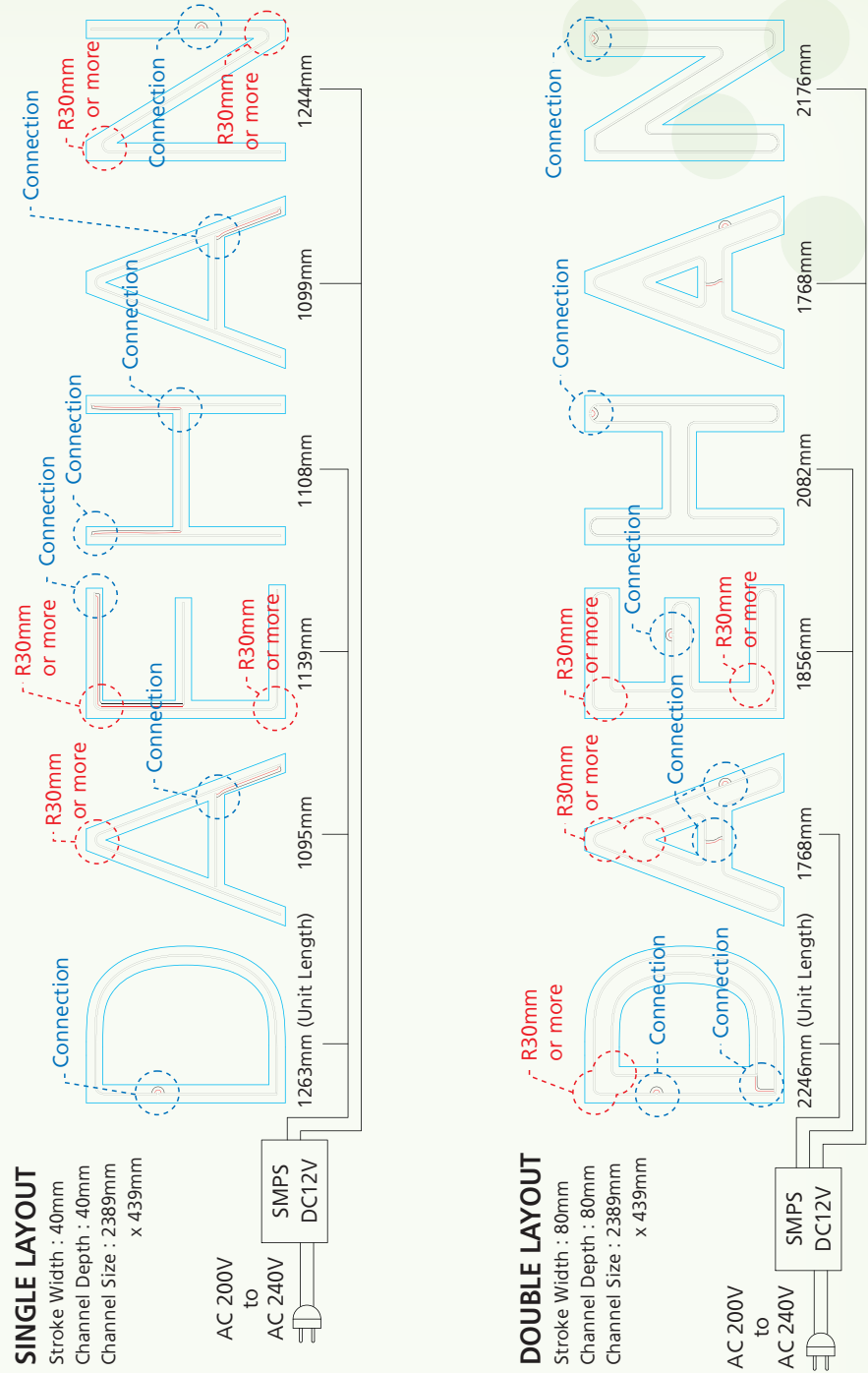
Using predetermined layout and LED placement from step 1, divide channels into sections and distribute each section to corresponding power supplies.



CAUTION

Before connect with power supplies, check polarity on every connections

LAYOUT GUIDE



TROUBLE SHOOTING

Entire sign or leg does not light after complete installation.	Check connection from power supply lead to first module. Make sure polarity of connections made at the power supply lead and any jumper wire is correct. Power supply outputs should be connected red-to-red and white-to-white.
Still does not light.	Check output voltage of power supply using a voltmeter. The output voltage should be 12.0VDC ± 0.5VDC. If there is no output voltage, have a licensed electrician check input voltage. Make sure power supply is connected correctly and getting primary power. Probably AC input wire is connected to ground terminal of power supply. If power supply is connected properly and getting primary power and there is still no output voltage, try a different power supply.
Still does not light.	If power supply is getting primary power and the modules do not light, there may be a short in the secondary wiring. Check all connections and cap all loose wires.
Beginning of a leg lights, but the entire leg does not light or lights intermittently.	The primary cause of a portion of a S-LED leg not lighting or lighting intermittently is a bad connection or reverse polarity connection between the modules that light and the modules that don't light. Check this connection.
One module does not light, but all others in the leg light.	S-LED is designed so if one module fails, it will not cause the entire sign or leg to go out. If one module does not light, but all others in the leg do, replace this module with a new one.
All modules light, but some of them are dimmed.	Check each run has no more than maximum number of modules. Also ensure that type of the extension wire from SMPS to the first module is correct. If wires are not thick enough to transmit current from SMPS, this will cause voltage drop and will dim the modules at the end.
Dark spots or dimmed spots occur.	Channel depth is too low, or center distance between modules is too far. Refer to 'LAYOUT DENSITY GUIDELINES' for more information.
Still has spots.	Covering acrylic is not intended for LED illumination. Use light diffusing acrylic sheets which are specially made for LED light source.